



Griffco Valve Inc.
188 Creekside Dr
Amherst, NY 14228 USA
Phone: +1 716 835-0891
Fax: +1 716 835-0893

PRHP SERIES PRESSURE RELIEF VALVES



Features:

- High Reliability / Low Cost
- Pressure Range Up To 4000 psi
- Compact Size for OEM Applications
- 2 Port, 90° Configuration
- Multiple Connection Options: Threaded, Socket, and Flanged
- Robust, Machined Construction
- Wide Range of Materials

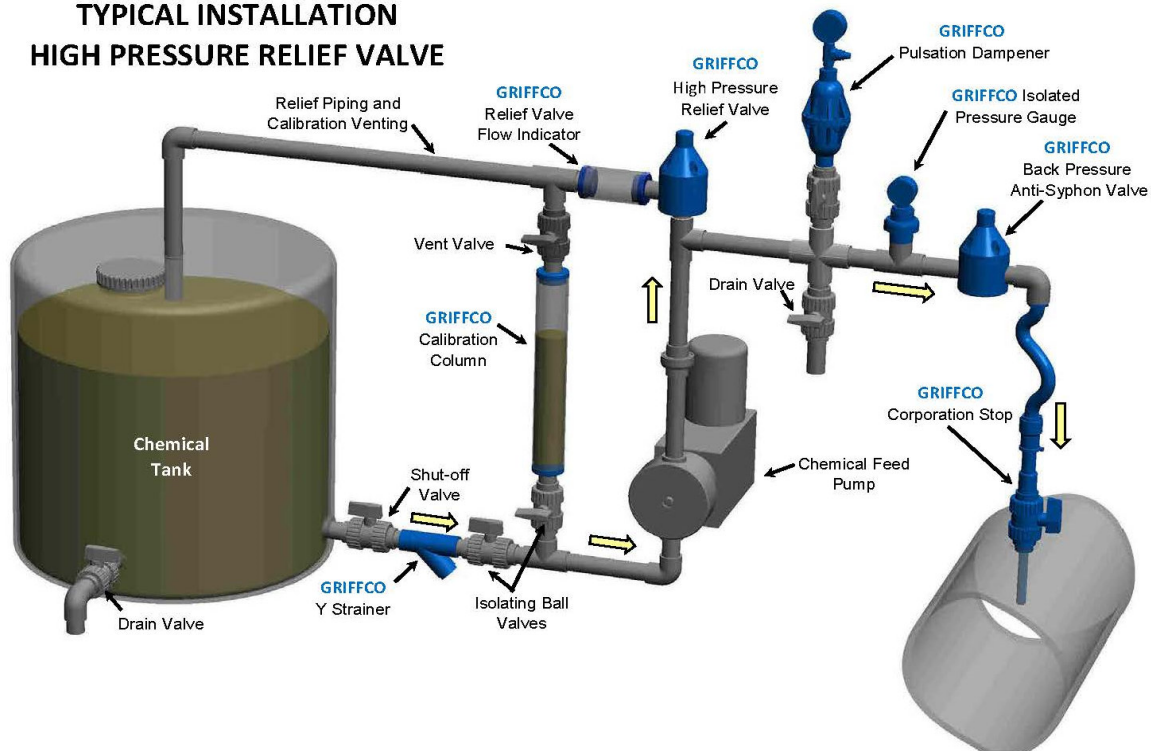
Operation:

Griffco high pressure relief valves operate when the pressure in the chemical system exceeds the preset pressure of the valve. The piston is held against the valve seat by an internal spring. When the preset pressure is exceeded the piston is forced up and the chemical flows out the relief port, to drain or back to the chemical tank. The valves are pre-set on request, however they are field adjustable from 350 - 4000 psi via the adjustment screw. The relief valve should be set approximately 10% higher than the system operating pressure. Installation should be made as close to the pump as possible, without any valves or accessories between the relief valve and the pump. Consult your pump manufacturer for their recommendations.

Griffco diaphragm pressure relief valves are designed to protect chemical feed systems from over pressure damage caused by defective equipment or a blockage in the chemical feed line. Robust construction ensures reliability in the rigorous service of municipal and industrial applications. Wetted materials include **316 SS, A 20 and Hast. C (body), and Kynar and 316SS/316L (poppet)**.

Available sizes: 1/4", 3/8", 1/2", 3/4" and 1"

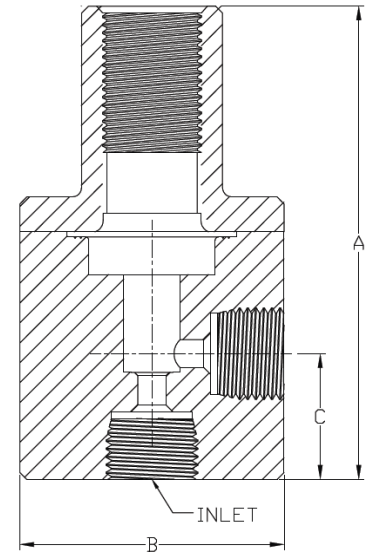
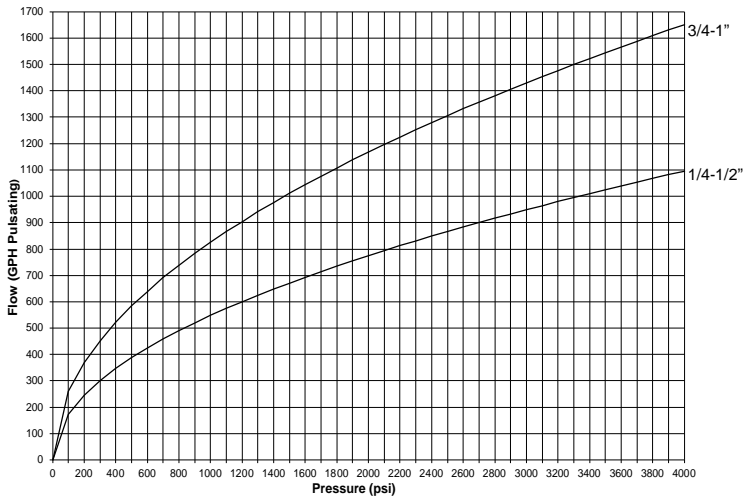
TYPICAL INSTALLATION HIGH PRESSURE RELIEF VALVE



Technical Data:

Sizes: Model PRHP and PRHP4			1/4", 3/8", 1/2", 3/4" & 1"			
Connections:			NPT, Socket, and Flanged			
Pressure Adjustment			PRHP: 350 – 2500 psi, PRHP4: 1000 – 4000 psi			
Max Flow Rates		@ 2500 psi	@ 4000 psi	@ 2500 psi	@ 4000 psi	Shipping Weight: lbs
Size	Pulsating	Pulsating	Continuous	Continuous	Metal / Metal Top:	
1/4"	830 USgph	1050 USgph	44 USgpm	56 USgpm	3.0	
3/8"	830 USgph	1050 USgph	44 USgpm	56 USgpm	3.0	
1/2"	830 USgph	1050 USgph	44 USgpm	56 USgpm	3.5	
3/4"	1340 USgph	1650 USgph	70 USgpm	86 USgpm	7.0	
1"	1340 USgph	1650 USgph	70 USgpm	86 USgpm	7.0	
Max Temperature: (°F)			300°, (Operating; Short Term 390°)			
Materials of Construction:						
Piston			PVDF or optional 316SS			
Diaphragm			PTFE / EPDM, Optional: Viton & PTFE / Viton			
Oring Seat			PTFE			
Valve Top			316 SS			
Valve Body			316 SS, A 20, Hast. C, Others on Request			

Performance Curves:



Dimensions:

Product Codes For Ordering:

PRHP (2500 psi)

PRHP4 (4000 psi) 1 2 3

1 = Size

025 – 1/4"
038 – 3/8"
050 – 1/2"
075 – 3/4"
100 – 1"

2 = Material

S - 316 SS
A - Alloy 20
C - Hastelloy C

3 = Options

Blank - NPT & PTFE/EPDM Diap.
V - Viton Diaphragm
TV - PTFE/Viton Diaphragm
S - Socket Connections
F (# rating) – Flange connection with lb rating

D	A PRHP	A PRHP4	B	C
1/4"	4.25	4.72	2.375	1.10
3/8"	4.25	4.72	2.375	1.10
1/2"	4.25	4.72	2.375	1.10
3/4"	5.90	6.40	3.50	1.25
1"	5.90	6.40	3.50	1.25