



Company

For 60 years PVR has been a leader providing high quality and reliable vacuum pumps. PVR means primarily trusted and advanced technologies, but also sustainable development for the stakeholders, environmental protection and focus on energy saving. The experience acquired during these years of activities, allows PVR to offer products and services that are always reliable and innovative.



sevencom.it



Provide trusted & advanced technologies



Machining Division

With a view to verticalization of its processes and increased capacity to provide more services to customers, PVR has had a specialized Machining Division for brass, steel, cast iron, stainless steel, and aluminum components since 2023.

Professionalism, experience, and quality characterise PVR Machining Division in the machining of numerous parts for vacuum pumps and components in the industrial, automotive, petrochemical, hydraulic, and electrical sectors.



Service

PVR guarantees a qualified advice for every inquiry thanks to its skilled technical/sales office that supports every project. The Service Department assists and advises our customers with scheduled maintenance, qualified overhauls and spare parts ready for delivery.

PVR Srl

HEADQUARTERS:

Via Santa Vecchia, 107 - 23868 Valmadrera (LC), Italy

+39 0341 1918 51

sales@pvr.it

www.pvr.it

SERVICE:

+39 339 1495 976

service@pvr.it

LOCAL UNIT:

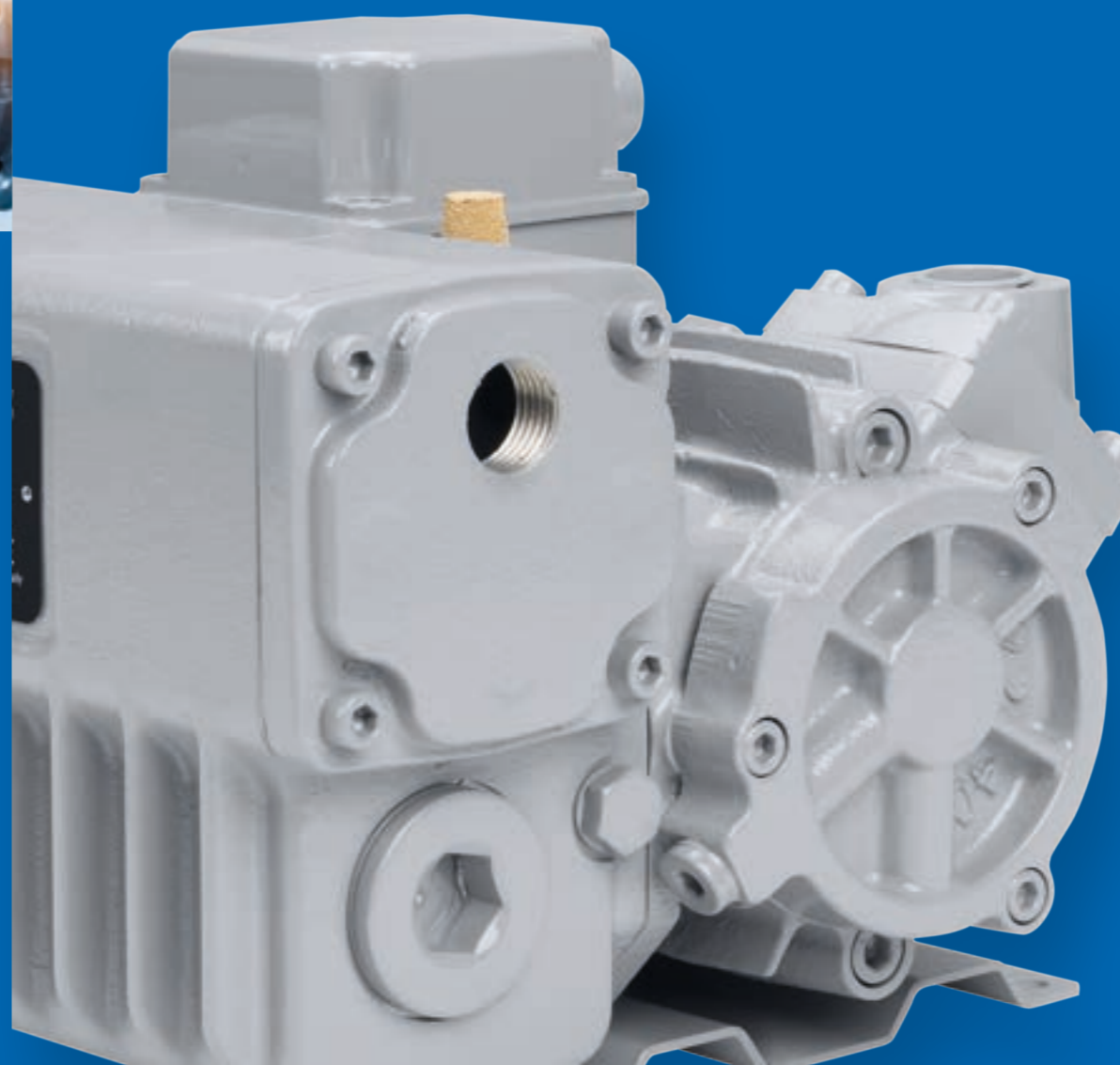
Via IV Novembre, 104F
23868 Valmadrera (LC), Italy

MACHINING DIVISION:

Via Grandi, 12 Loc. Malpensata
26866 Sant'Angelo Lodigiano (LO), Italy



Oil Lubricated Rotary Vane Vacuum Pumps **EM** Series



042401-EN



www.pvr.it

EM Series

Compact single stage rotary vane pumps

The EM series is formed by lubricated vane vacuum pumps extremely compact and light thanks to their monobloc design. They are easy to install and service. The use of the gas ballast valve allows to get rid of vapours (starting from the model EM 8). The multifrequency motors allow the use of the EM pumps in different geographic areas.



Applications

Packaging machines
Vacuum chambers
Thermoforming machines
Bottle fillings
Meat extruders
Dryers
Oil decontamination

Degassing materials
Varnish mixers
Pneumatic conveying systems
Plastic extruders
Pick & place systems
Hospital central vacuum systems

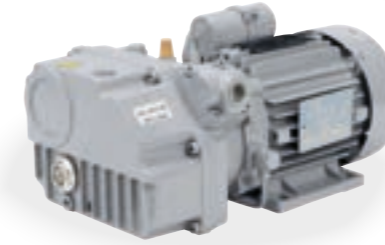
Autoclaves
Laboratories
Blister packaging machines
Glass, ceramic and pottery industry
Marble and agglomerates
Thermoforming packaging machines



EM 4



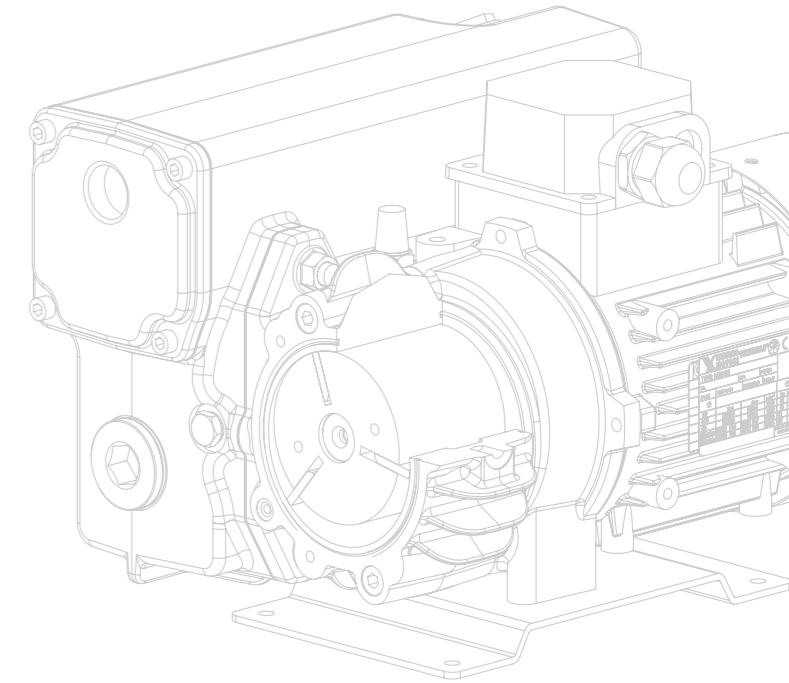
EM 20



EM 8



EM 40



		EM 4	EM 8	EM 12
Nominal pumping speed	m ³ /h	4	8,5	12,5
		4,8	10	15
Ultimate pressure (abs.)	mbar	≤ 2	≤ 2	≤ 2
		≤ 20	≤ 20	≤ 20
Water vapour tolerance	mbar	-	20	30
		-	0,125	0,2
Water vapour pumping capacity	kg/h	-	0,125	0,2
		-	0,125	0,2
Noise level	dB(A)	57	58	65
		59	60	66
Motor power	kW	50 Hz ~3	0,12	0,25
		~1	0,12	0,25
	60 Hz ~3	0,15	0,30	
		~1	0,12	0,25
Motor speed	rpm	3000	3000	3000
		3600	3600	3600
Dimensions	L x B x H	mm	236x129x139	300x166x139
			280x214x189	
Total weight	kg	50 Hz ~3	5	12
		~1		13
		60 Hz ~3		
	~1			

EM 20	EM 28	EM 40
18	28	42
21	33	51
≤ 2	≤ 2	≤ 2
≤ 20	≤ 20	≤ 20
30	30	30
0,45	0,65	0,9
0,45	0,65	0,9
66	65	68
67	67	69
0,55	0,75	1,1
0,55	1,1	1,4
0,66	0,9	1,3
0,66	1,3	-
3000	3000	3000
3600	3600	3600
298x221x189	332x266x224	415x266x224
17	26	30

Oil lubricated rotary vane vacuum pumps

The technology of the lubricated vacuum pumps suits perfectly the industrial applications in the rough vacuum field. The EM series has been designed to achieve a compact and versatile pump, reliable and easy to maintain. Available in a wide range of models and supplied with a series of specific accessories.

