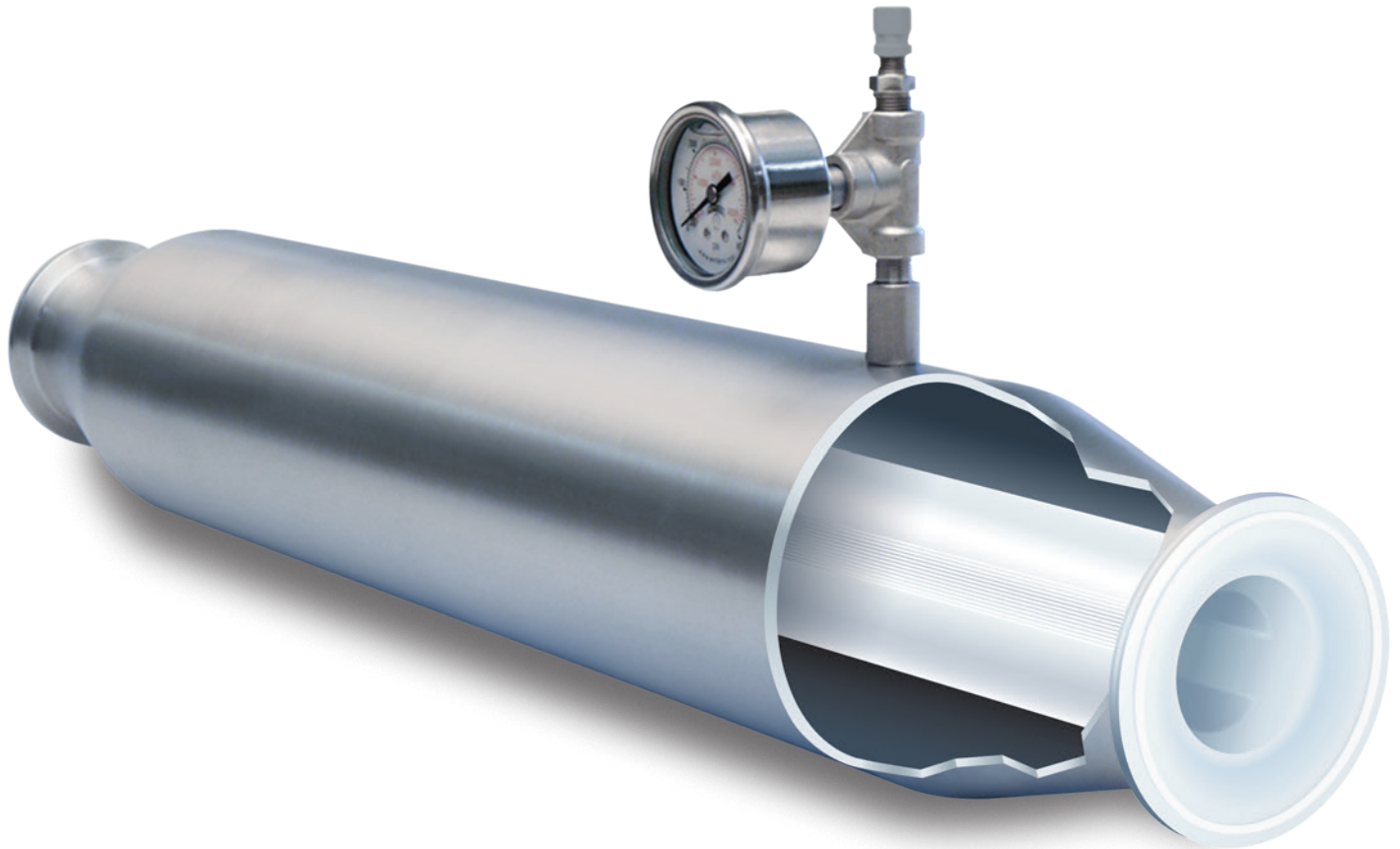


SENTRYCIP

SANITARY FLOW THROUGH DAMPENER

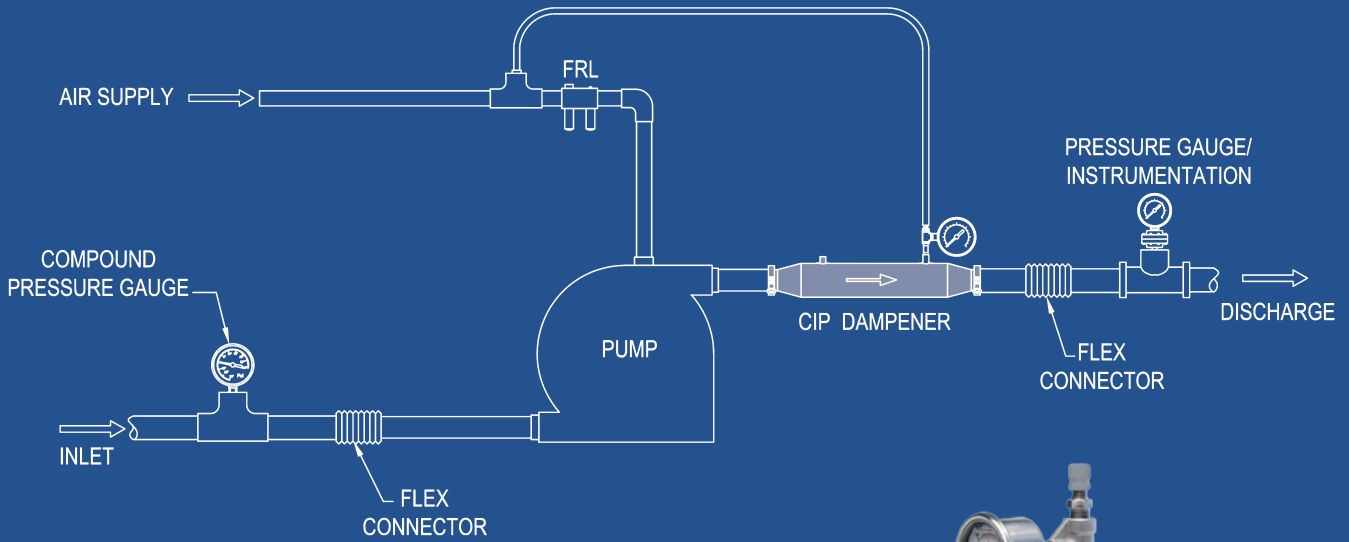


The clean alternative for pulsation dampening.

Specifically designed for hygienic applications requiring clean-in-place components, the SENTRY CIP inline flow through design and unique patent pending tube bladder eliminate problems with product holdup and trapped particles. Ideally suited for handling slurries and viscous fluids, it's gentle enough for the most delicate products.

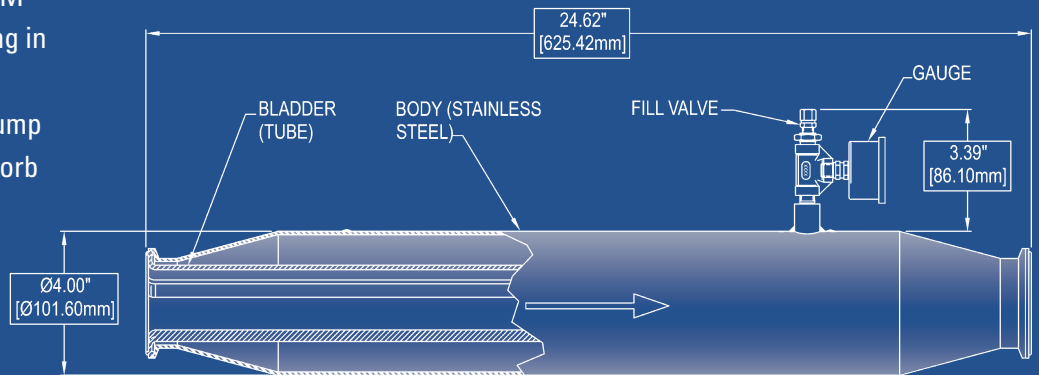
- Polished 316L stainless steel for sanitary applications
- Inline, flow through design eliminates product holdup
- Self-draining single body construction for easy clean-in-place
- Internal molded ribs prevent bladder collapse under pressure, replacing other designs with perforated tubes that collect and trap particles
- Molded ends connect directly to pipe and seal with Tri-Clamp fasteners without separate gaskets

BLACOH[™]
FLUID CONTROL



SENTRY CIP SANITARY FLOW THROUGH DAMPENER

- Discharge pulsation dampener for use with AODD pumps up to 2" and peristaltic/hose pumps up to 1"
- 316L polished stainless steel single body construction with 2.5" Tri-Clamp fasteners
- 275 cubic inch with maximum pressure rating to 150 psi (10.3 bar)
- Molded tube bladder available in USP Class VI pharma-grade silicone and food-grade EPDM
- Optional end cap for mounting in vertical position
- Installed inline as close to pump discharge as possible to absorb the pulse at the source



Contact your local BLACOH distributor:



Don't Pump Without Us.

PULSATION DAMPENERS ■ SURGE SUPPRESSORS ■ INLET STABILIZERS ■ DIAPHRAGM SEALS/GAUGE GUARDS ■ BACK PRESSURE/PRESSURE RELIEF VALVES ■ LEAK CONTAINMENT/SPILL PREVENTION SYSTEMS

800.603.7867 | 951.342.3100 | www.BLACOH.com | Sales@Blacoh.com