

G series

Positive displacement self priming stainless steel pump with flexible impeller



Flow rate up to 600 lt/min



Head up to 25 mt



Operating temperature max 70°C



Operating pressure max 3 bar



Motors from 0.4 HP to 6 HP – 700/900/1400 RPM



AISI 304 high thickness stainless steel pump casing and synthetic rubber impeller



Suitable for viscous liquids with suspended solids

Positive displacement self priming stainless steel pump with flexible impeller

The special design of the pump casing ensures an immediate suction, even when running dry, up to a depth of 5/6 metres

Delicate pumping action

The low speed motor ensures a gentle pumping action for delicate liquids, and a continuous and regular flow

Suitable for viscous liquids

The shape of the impeller allows the pump to handle viscous fluids with suspended solids



High thickness pump casing

High thickness steel (3/4mm) which ensures a higher mechanical and corrosion resistance, and therefore a longer life

Easy to dismantle

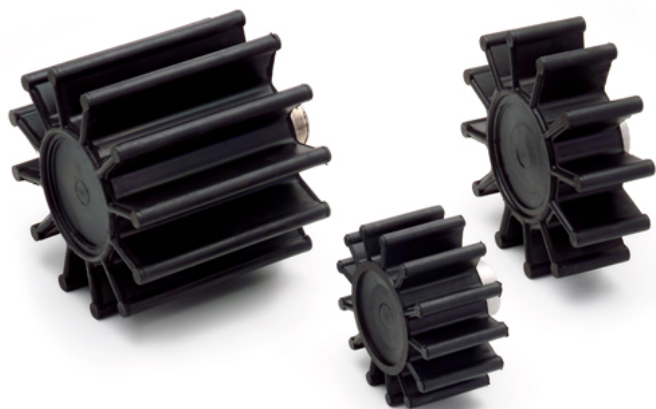
The cleaning and replacement of the mechanical seal and of the impeller are incredibly simple as the pump can be taken apart with ease

Flow reversibility

The direction of rotation of the motor can be reversed to ensure a total flow reversibility, with identical performance for both directions of rotation

Pump casing formed as a single piece

All pump casings are constructed from high thickness stainless steel sheet metal, which ensures quality and long life. The pump casings undergo continuous quality controls of the welds and are internally and externally polished to ensure the highest level of hygiene



Impeller made of non-toxic rubber

The impeller is made of synthetic rubber (Neoprene or EPDM) and is entirely non-toxic and resistant to several acids. The Neoprene impeller complies with the American FDA regulations related to the handling of food grade liquids

The G series pumps have the following features:

- Immediate priming at a depth of up to 5 metres, even when running dry
- Flow reversibility
- Low speed motor, which ensures a gentle pumping action for delicate liquids
- Continuous and regular pumping action
- Capacity to handle viscous and solid-laden liquids
- High thickness steel (3/4mm) which ensures a higher mechanical and corrosion resistance, and therefore a longer life
- Monobloc pump casing casting for higher strength and a better seal
- The cleaning and replacement of the mechanical seal and of the impeller are incredibly simple as the pump can be taken apart with ease
- Flexible impeller made of entirely non-toxic synthetic rubber (Neoprene or EPDM) and resistant to different acids
- Mechanical seal made of NBR-graphite or NBR-tungsten carbide

These features make these pumps exceptionally versatile. They can be used in the **chemical-pharmaceutical industry** (starch, wax, water-based glues, creams, cleaners, glycerine, glycols, latex, vegetable and animal fats, liquid soaps, syrups, shampoos, industrial water treatment, paints) and in the **wine-food industry** (beer, butter, melted cheese, glucose, milk and condensed milk, jam, honey, must, oil, cream, tomato sauce, fruit juices, eggs, yogurt, wine, destemmed grapes, liquid sugar).

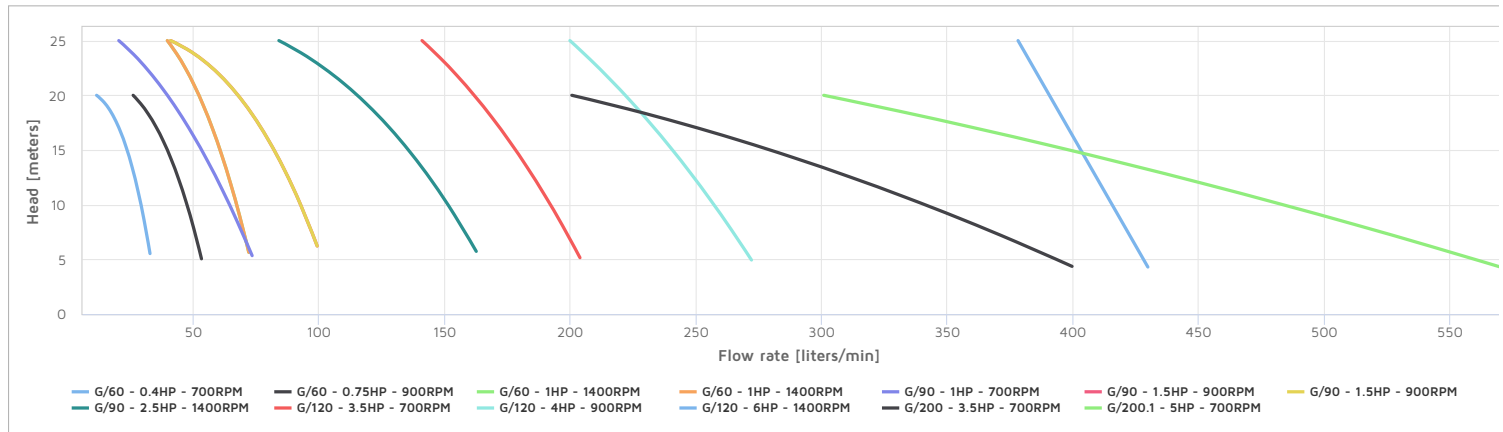
On request, pumps can be supplied on a stainless steel carriage fitted with a rotation direction inverter.

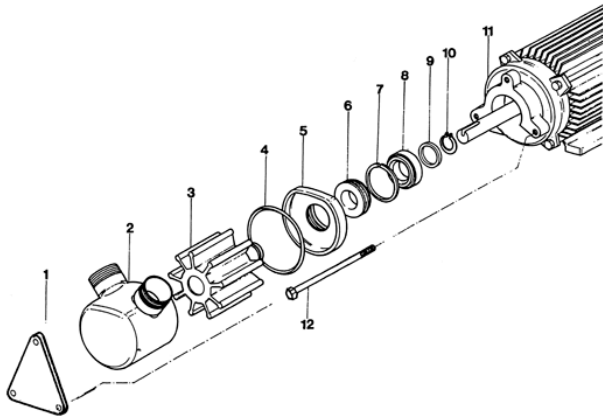
The pumps can also be supplied with DIN 11851, Garolla or Macon fittings.

Technical Specifications

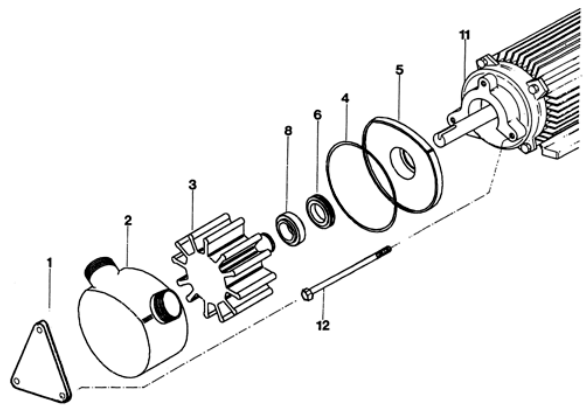
Power and capacity are referred to working with water

MOD	MOTOR				FLOW RATE [lt/min] ± 5%						Ø PORTS
	HP	KW	RPM	TYPE	2 mt	5 mt	10 mt	15 mt	20 mt	25 mt	
G/60	0.4	0.3	700	Three-phase	35	33	29	24	11	-	Ø 1 ¼" BSP male thread or Ø 40mm couplings
	0.75	0.55	900	Three-phase	56	53	47	40	26	-	
	1	0.75	1400	Three-phase	76	73	67	61	52	40	
	1	0.75	1400	Single-phase	76	73	67	61	52	40	
G/90	1	0.75	700	Three-phase	79	74	64	53	40	20	Ø 1 ½" BSP male thread or Ø 50mm couplings
	1.5	1.1	900	Three-phase	106	101	93	82	68	41	
	2	1.5	1400	Single-phase	171	164	151	135	115	84	
G/120	2.5	1.8	1400	Three-phase	171	164	151	135	115	84	Ø 2" BSP male thread or Ø 60mm couplings
	3.5	2.6	700	Three-phase	211	204	192	178	162	141	
	4	3	900	Three-phase	280	272	257	241	222	200	
G/200	6	4.5	1400	Three-phase	435	428	415	403	391	378	Ø 2" BSP male thread or Ø 60mm couplings
	3.5	2.6	700	Three-phase	422	393	341	279	200	-	
G/200.1	5	3.7	700	Three-phase	602	560	483	398	301	-	Ø 2 ½" BSP male thread or Ø 80mm couplings

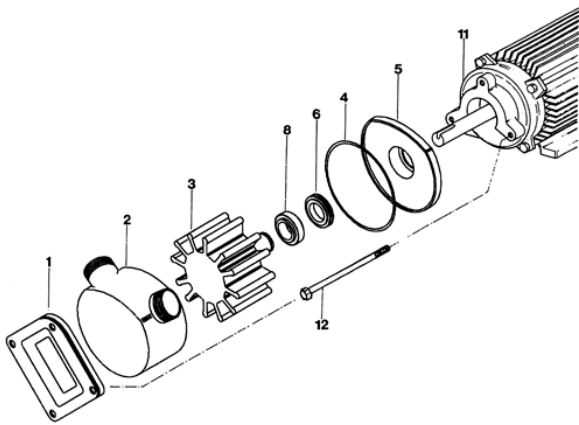




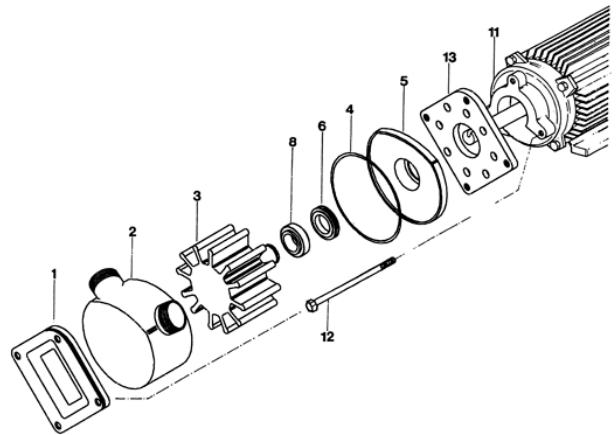
G/60



G/90

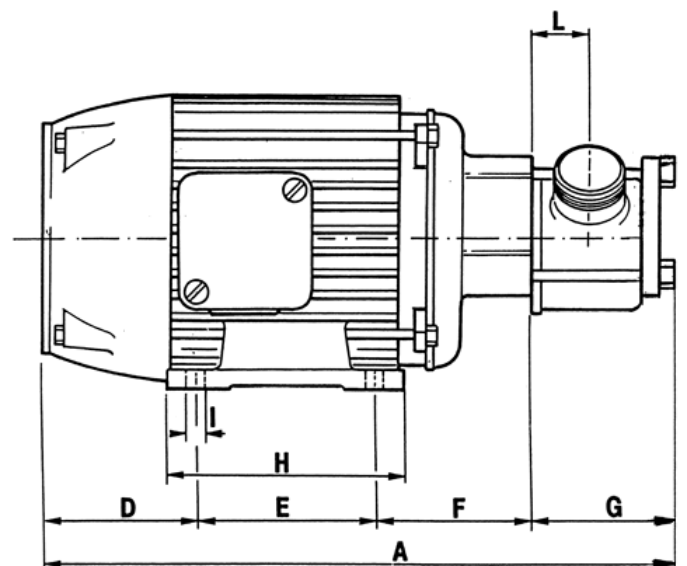
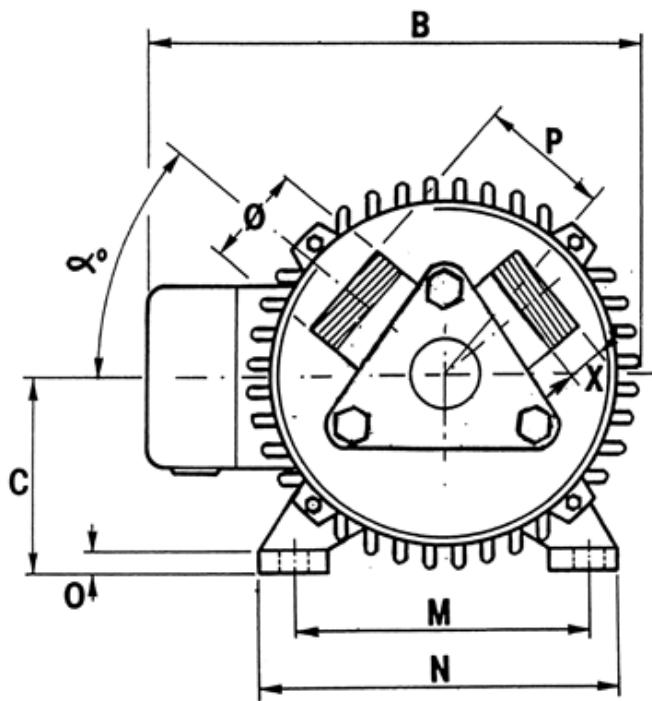


G/120



G/200 - G/200.1

RIF	DESCRIPTION	MATERIALS
1	Flange	Stainless Steel
2	Pump Casing	AISI 304 Stainless Steel
3	Impeller	Neoprene
4	Body Seal Ring	NBR
5	Rear Cap	AISI 304 Stainless Steel
6	Seal Fixed Part	Steel
7	Elastic Ring	Steel
8	Seal Rotating Part	Graphite, NBR, Stainless Steel
9	Compensation Ring	Stainless Steel
10	Seeger Ring	Steel
11	Electric Motor	--
12	Tie Rod	Stainless Steel
13	Rear flange	Aluminium



MOD	MOTOR			Dimensions [mm]															α [deg]	Ø PORTS
	HP	KW	RPM	A	B	C	D	E	F	G	H	I	L	M	N	O	P	X		
G/60	0.4	0.3	700	367	208	80	83	100	84	100	122	12	30	125	155	10	56	13	41°	1 ¼"
	0.75	0.55	900																	
	1	0.75	1400																	
G/90	1	0.75	700	445	256	99	98	140	91	116	170	17	35	160	198	14	71	15	33°	1 ½"
	1.5	1.1	900																	
	2.5	1.8	1400																	
G/120	3.5	2.6	700	629	337	124	147	180	145	157	225	20	54	218	256	18	92	17	40°	2"
	4	3	900																	
	6	4.4	1400																	
G/200	3.5	2.6	700	546	269	132	135	140	136	135	180	12	66	216	256	17	122	15	45°	2"
G/200.1	5	3.6	700	587	269	132	158	178	98	164	218	12	65	216	256	17	122	15	45°	2 ½"

TEKNOPUMP OY
 Kaukoilantie 5 B, 03100, Nummela
 Tel: 0207350800