

# G/N series

Positive displacement self priming stainless steel pump with flexible impeller for direct connection to power take-offs



Flow rate up to 570 lt/min



Head up to 25 mt



Operating temperature max 70°C



Operating pressure max 3 bar



AISI 304 high thickness stainless steel pump casing and synthetic rubber impeller



Suitable for viscous liquids with suspended solids

## Self-priming pump

The special design of the pump casing ensures an immediate suction, even when running dry, up to a depth of 5/6 metres

## Delicate pumping action

The low speed motor ensures a gentle pumping action for delicate liquids, and a continuous and regular flow

## Suitable for viscous liquids

The shape of the impeller allows the pump to handle viscous fluids with suspended solids



## High thickness pump casing

High thickness steel (3/4mm) which ensures a higher mechanical and corrosion resistance, and therefore a longer life

## Easy to dismantle

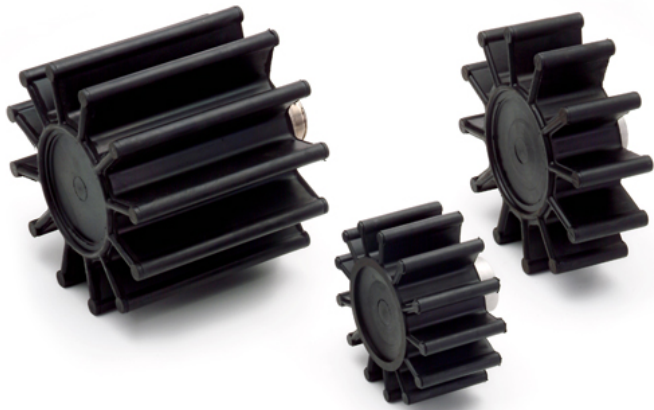
The cleaning and replacement of the mechanical seal and of the impeller are incredibly simple as the pump can be taken apart with ease

## Flow reversibility

The direction of rotation of the motor can be reversed to ensure a total flow reversibility, with identical performance for both directions of rotation

### Pump casing formed as a single piece

All pump casings are constructed from high thickness stainless steel sheet metal, which ensures quality and long life. The pump casings undergo continuous quality controls of the welds and are internally and externally polished to ensure the highest level of hygiene



### Impeller made of non-toxic rubber

The impeller is made of synthetic rubber (Neoprene or EPDM) and is entirely non-toxic and resistant to several acids. The Neoprene impeller complies with the American FDA regulations related to the handling of food grade liquids

### Direct connection to power take-offs

Direct connection to power take-offsThe G/N series pumps are specifically designed to be directly connected to power take-offs, such as those of tankers or tractors



The G/N series pumps have the following features:

- Immediate priming at a depth of up to 5 metres, even when running dry
- Flow reversibility
- If used at low RPM, it ensures a gentle pumping action for delicate liquids
- Continuous and regular pumping action
- Capacity to handle viscous and solid-laden liquids
- High thickness steel (3/4mm) which ensures a higher mechanical and corrosion resistance, and therefore a longer life
- Monobloc pump casing casting for higher strength and a better seal
- The cleaning and replacement of the mechanical seal and of the impeller are incredibly simple as the pump can be taken apart with ease
- Flexible impeller made of entirely non-toxic synthetic rubber (Neoprene or EPDM) and resistant to different acids
- Mechanical seal made of NBR-graphite or NBR-tungsten carbide

These features make these pumps exceptionally versatile. They can be used in the **chemical-pharmaceutical industry** (starch, wax, water-based glues, creams, cleaners, glycerine, glycols, latex, vegetable and animal fats, liquid soaps, syrups, shampoos, industrial water treatment, paints) and in the **wine-food industry** (beer, butter, melted cheese, glucose, milk and condensed milk, jam, honey, must, oil, cream, tomato sauce, fruit juices, eggs, yogurt, wine, destemmed grapes, liquid sugar).

The pump is supplied with a cast iron base for easy connection to power take-offs.

The pumps can also be supplied with DIN 11851, Garolla or Macon fittings.

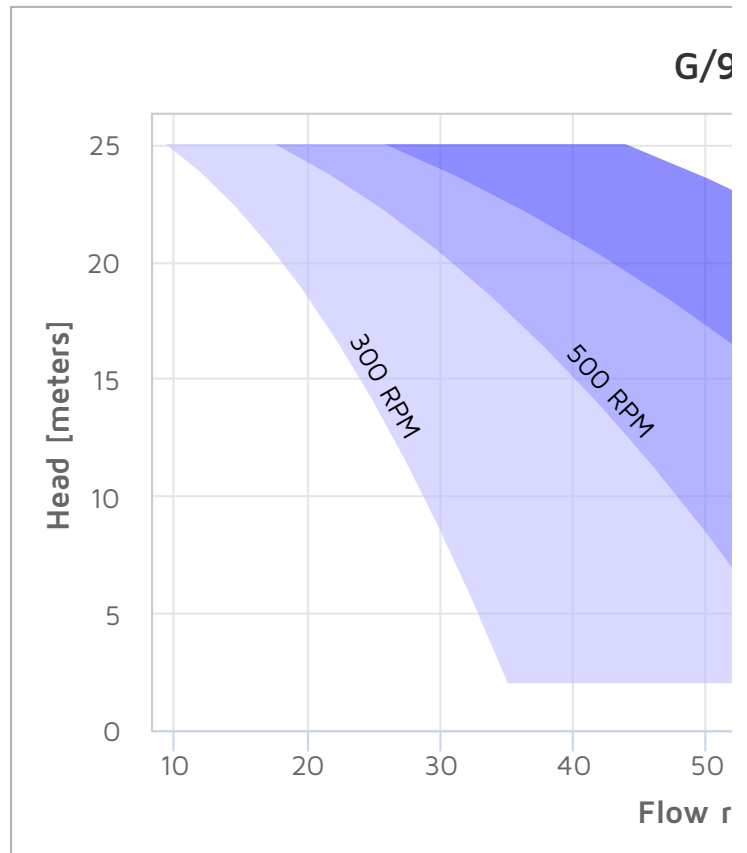
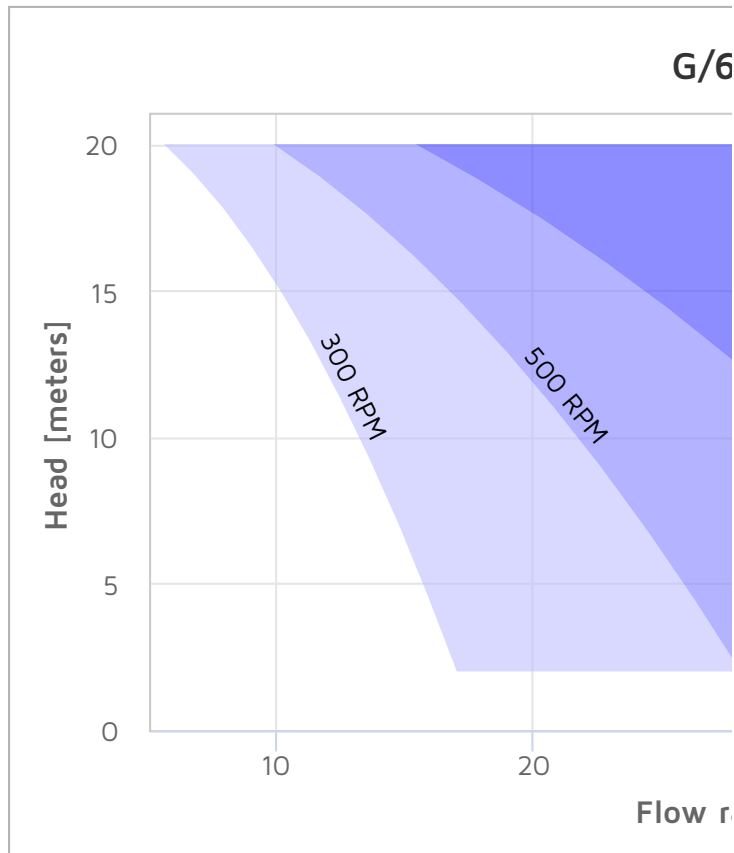
The recommended highest RPM is 900 RPM (700 RPM for G/200/N and G/200.1/N).

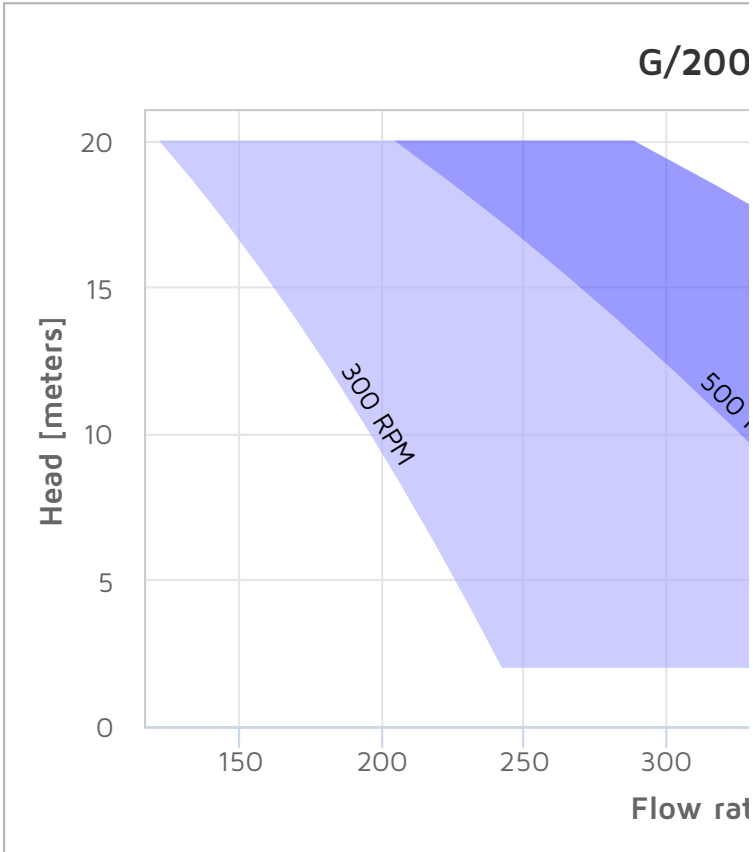
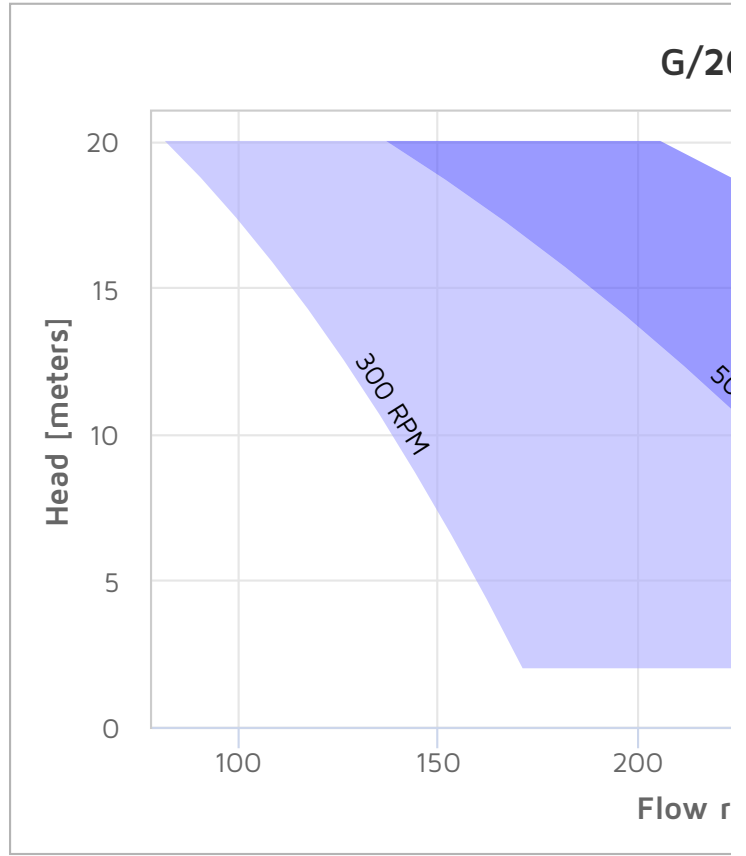
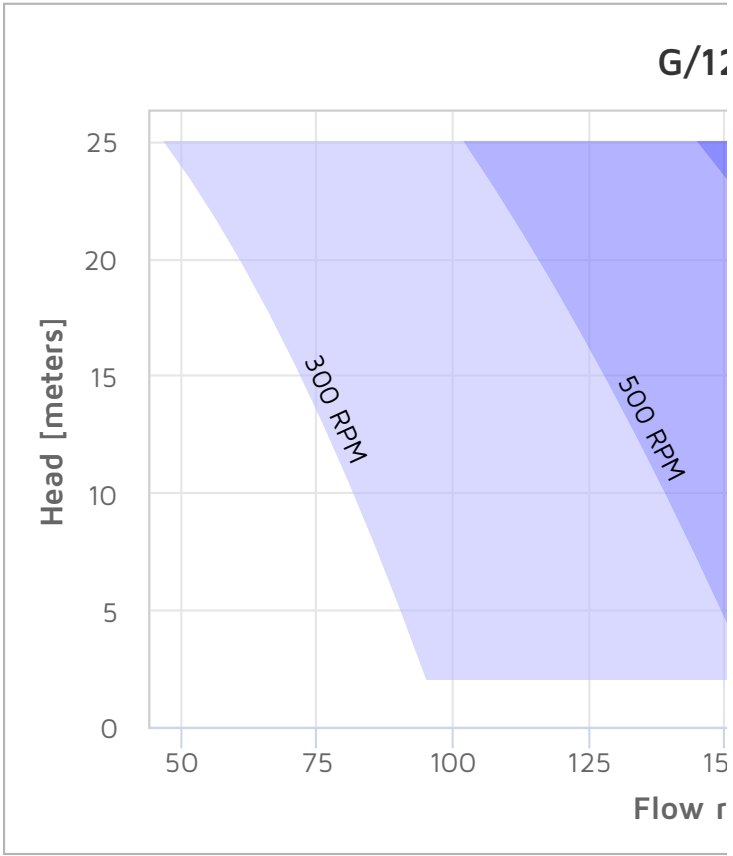
---

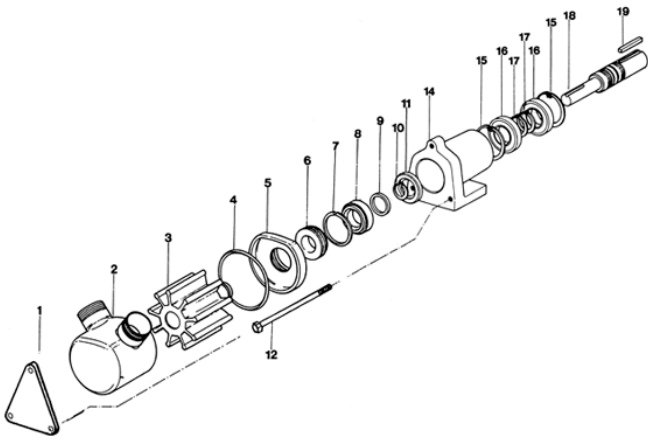
## Technical Specifications

Power and capacity are referred to working with water

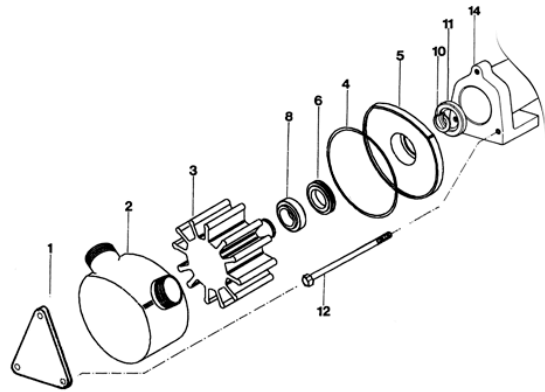
MOD	POWER REQUIRED			FLOW RATE [lt/min] ± 5%						Ø PORTS
	HP	KW	RPM	2 mt	5 mt	10 mt	15 mt	20 mt	25 mt	
G/60/N	0.4	0.3	300	17	16	13	10	6	-	Ø 1 ¼" BSP male thread or Ø 40mm couplings
	0.4	0.3	500	28	26	22	17	10	-	
	0.4	0.3	700	40	37	31	24	15	-	
	0.75	0.55	900	55	52	45	38	29	-	
G/90/N	1	0.75	300	35	33	29	24	18	9	Ø 1 ½" BSP male thread or Ø 50mm couplings
	1	0.75	500	58	54	48	40	31	17	
	1	0.75	700	80	75	66	55	43	26	
	1.5	1.1	900	105	99	89	77	62	44	
G/120/N	2	1.5	300	95	90	81	72	61	47	Ø 2" BSP male thread or Ø 60mm couplings
	2	1.5	500	155	149	139	128	115	102	
	3.5	2.6	700	210	203	190	176	161	145	
	4	3	900	280	271	255	239	221	201	
G/200/N	2.5	1.8	300	171	159	138	113	82	-	Ø 2" BSP male thread or Ø 60mm couplings
	3	2.2	500	286	266	230	188	137	-	
	3.5	2.6	700	400	374	326	271	205	-	
G/200.1/N	4	3	300	242	225	195	161	121	-	Ø 2 ½" BSP male thread or Ø 80mm couplings
	4.5	3.4	500	404	376	326	269	204	-	
	5	3.6	700	570	530	458	379	288	-	



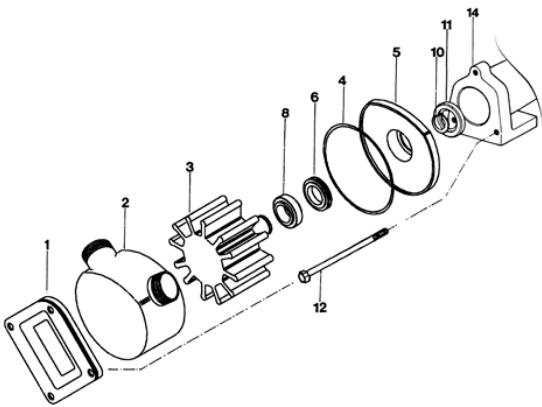




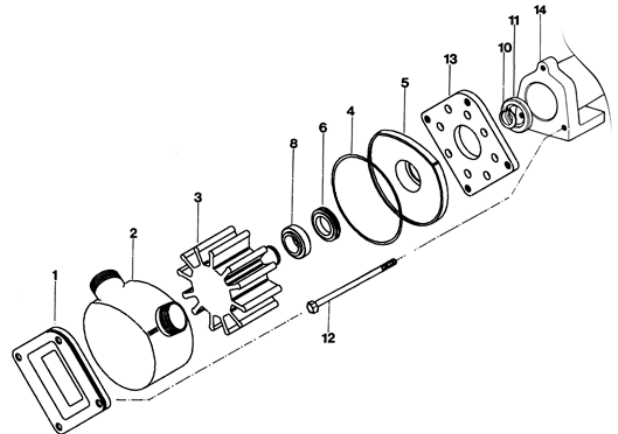
**G/60/N**



**G/90/N**

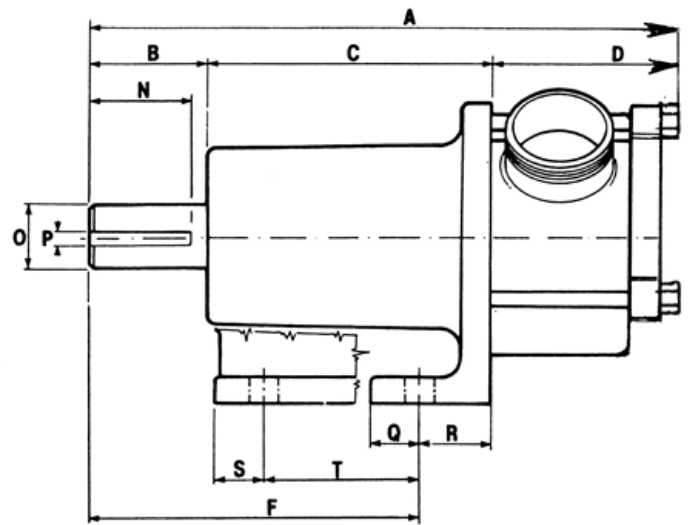
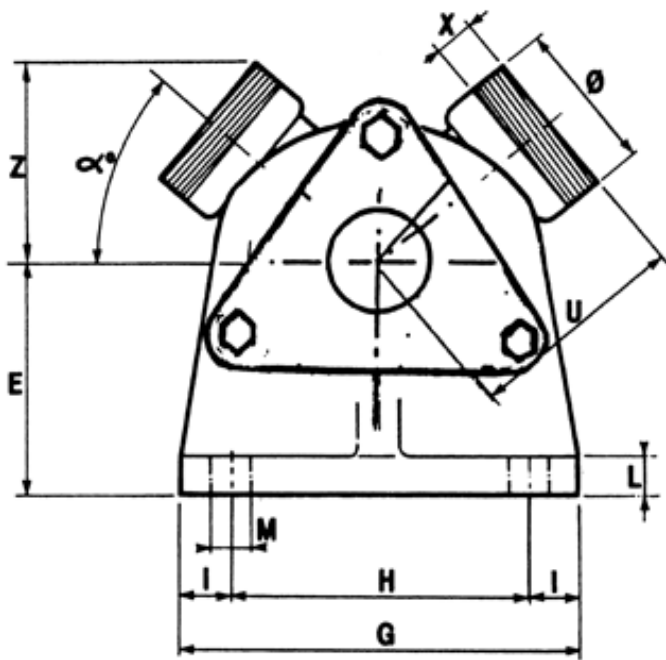


**G/120/N**



**G/200/N  
G/200.1/N**

RIF	DESCRIPTION	MATERIALS
1	Flange	Stainless Steel
2	Pump Casing	AISI 304 Stainless Steel
3	Impeller	Neoprene
4	Body Seal Ring	NBR
5	Seal Disc	AISI 304 Stainless Steel
6	Seal Fixed Part	Steel
7	Elastic Ring	Steel
8	Seal Rotating Part	Graphite, NBR, Stainless Steel
9	Spacing Ring	Stainless Steel
10	Seeger Ring	Steel
11	Oil Seal	Rubber
12	Tie Rod	Stainless Steel
13	Rear flange	Aluminium
14	Pump Base	Cast Iron
15	Seeger Ring	Steel
16	Bearing	Steel
17	Seeger Ring	Steel
18	Shaft	Iron
19	Insert	Iron



MOD	Dimensions [mm]																				α [deg]	Ø PORTS	
	A	B	C	D	E	F	G	H	I	L	M	N	O	P	Q	R	S	T	U	X			Z
G/60/N	250	65	82	103	57	117	113	80	14	15	9	40	25	6×6	20	30	-	-	56	13	47	41°	1 ¼"
G/90/N	278	65	90	123	57	120	137	85	21	14	9	50	30	8×7	30	32	-	-	71	15	53	33°	1 ½"
G/120/N	390	65	160	165	90	185	160	120	20	14	14	50	35	8×7	-	35	25	96	96	17	20	40°	2"
G/200/N	357	65	180	107	90	190	160	120	20	14	14	51.5	35	8×7	-	35	22	96	140	17	100	40°	2"
G/200.1/N	360	48	174	135	90	172	160	120	20	14	14	40	35	8×7	-	35	25	96	140	21	130	40°	2 ½"

TEKNOPUMP OY  
Kaukoilantie 5 B, 03100, Nummela  
Tel: 0207350800