

PULSAFEEDER[®] ENGINEERED PRODUCTS

55H

PULSAR[®]

Our time proven PULSAR 55H is a leak-free, hydraulically balanced diaphragm metering pump. It is engineered for precise dosing and long-term dependability to deliver superior value. It includes exclusive hydraulic diagnostics that provide immediate visual intelligence about pump and system performance. The PULSAR HYPOPump[®] configuration is the ideal choice for sodium hypochlorite or other off-gassing and difficult to handle fluids. The PULSAR 55H is commonly used for applications in industries such as chemical processing, petrochemical, oil & gas, water & wastewater treatment, and power.



Applications

corrosion inhibitors, anti-scalants, slurries, sodium hypochlorite injection, disinfection, pH and odor control



Flow

up to 120 gph (453 lph)



Pressure

up to 4000 psi (276 bar)



Temperature

up to 230°F (110°C)



API-675 • CE • ATEX

Hydraulic diaphragm metering delivers more than you expect.

Standard materials of construction

- Wet end: 316LSS, PVC
- Diaphragm: Composite or Solid PTFE
- Pump body: Aluminum
- Valve ball: 316LSS, Alumina Ceramic
- Valve gaskets: PTFE
- Valve seat: 316LSS, PVC

Connection types

- NPT
- Raised-face Flange

Controls

- DLC - stroke length
- DLCM - stroke length/motor speed
- MPC - motor speed
- ECA - stroke length

Leak detection

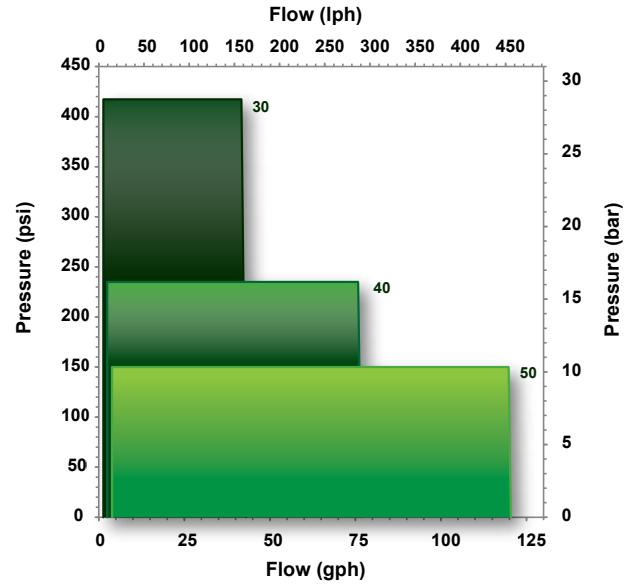
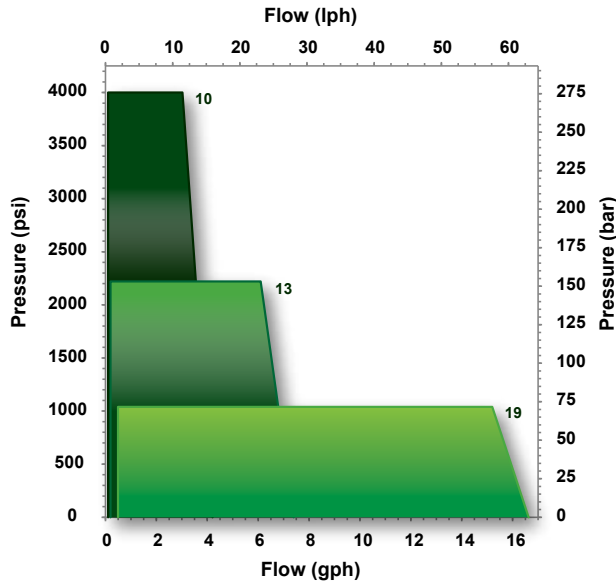
- PULSAIarm[®]
 - Pressure based
 - IP66 NEMA Type 7/4X

Duplex configurations

PULSAR HYPOPump

- The solution for injection of sodium hypochlorite and other off gassing fluids
- Fully integrated closed loop design, no external valves or piping required
- Balanced, low stress, dynamic seal ensures extended operating life
- 3 year HYPO valve warranty

Flow & Pressure Envelope by Piston Size (mm)



Features & Benefits

- Patented hydraulic diagnostic window yields instant visual indication of system over-pressurization, entrained air in hydraulic fluid and diaphragm integrity
- Hydraulic Performance Valve maintains optimum diaphragm position and allows low suction NPIP of 3 psi (0.2 bar)
- Push-to-prime valve allows quick manual priming of the hydraulic system in addition to automatic air bleeding
- Four bolt tie bar design provides ultimate resistance to piping moments and forces
- Three component check valves for controlled rise, assuring proper valve operation, extended valve seat life, and metering accuracy
- Externally adjustable hydraulic by-pass valve protects against over-pressurization
- Manual self-locking stroke length adjustment with resolution of 0.5% for set point accuracy

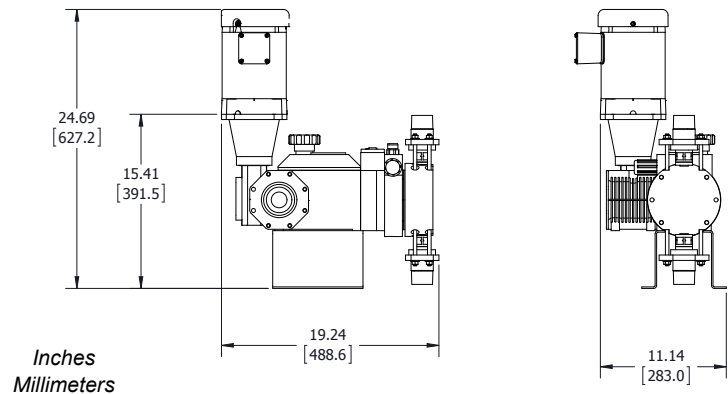
Custom Engineering

- Compatible materials: Alloy C, Alloy 20, Monel, DuplexSS, Titanium, PVDF
- Minimum temperature to -10°F (-23°C)
- Multiplex configurations
- Manual Degass Valve
- Custom electronic controls
- Chemical feed systems
- Application consulting

Specifications

Materials	316LSS, PVC	Max temp	230°F (110°C)
Diaphragm type	Flat	Min temp	40°F (4.4°C)
Motor power	0.75 hp (0.55 kW)	Accuracy	±0.5%
Motor frame	NEMA 56C, IEC 80B14	Standards	API-675, CE, ATEX

Dimensions



Approximate shipping weight: 95 lb. (43 kg.)

The dimensions given may differ depending on pump configuration.

For More Information, Contact Your Authorized Pulsafeeder Engineered Products Representative



Pulsafeeder Engineered Products
 2883 Brighton Henrietta Town Line Rd.
 Rochester, NY 14623
 Phone: +1 (585) 292-8000
 pulsa@idexcorp.com • pulsa.com

Pulsafeeder is an ISO 9001:2008 and 14001:2004 certified company.

© Copyright 2014 Pulsafeeder. All rights reserved.

